

### Text example

Compile and tender according to requirements.  
Please refer to technical data below for respective details.  
Updated 1<sup>st</sup> June 2015

Position	No. of pieces	Item	Unit price €	Total price €
		Ready-to-install up-and-over garage door DL. Single-leaf element. Type of handing: behind the opening. Door leaf filling: galvanized, vertically ribbed sheet steel, powder coated similar to RAL 9016 (Traffic white). 3-sided galvanized block frame with ceiling guide rail. Lateral lever arms with 3-fold spring system and finger pinch protection. Lateral plastic cover strips. Lateral locking with special plastic catches. Special lock with profile half cylinder and plastic round handle set with pull cord. 2 plastic rollers Ø 50 mm. "Teckentrup DL" or equivalent.		

### Technical data

**Product:** Up-and-over garage door DL

**Installation in:**

- Masonry
- Concrete

**Dimensions:** Width: 1750 – 3000 mm  
Height: 1875 – 2500 mm

**Handing:**

- Pre-assembled up-and-over garage door for handing behind or in the opening.

**Door leaf:** Door leaf frame: 3-sided galvanized block frame  
Reinforcement: 2 reinforcements, 1 mm thick  
Filling:

- Ribbed door: galvanized sheet steel, vertically ribbed, optionally horizontally ribbed.
- Panelled door (Georgian/cassette) made of galvanized thin sheet.
- Panelled door: galvanized sheet steel 1 mm thick.
- Wooden door: type of wood, vertical Norway spruce, optionally horizontal or fishbone, door leaf frame without plinth.

Special equipment - filling:

- Steel panels with ventilation openings,
- Corrugated grille
- Horizontal Norway spruce panels,
- Wooden fishbone panels with mullion

**Door leaf thickness:** 50 mm

**Frame:** 3-sided galvanized block frame with ceiling guide rail. Block frame with groove and PVC contact strip. Lateral lever arms with 3-fold spring system and finger pinch protection. Lateral plastic cover strips. 3 wall anchor plugs on each side and 1 x top, 2 threshold anchors

**Surface:**

- Ribbed/Panelled door: powder coated Traffic white, similar to RAL 9016.
- Panelled door (Georgian/cassette) woodgrain, powder coated Traffic white, similar to RAL 9016.

Special coating for ribbed and panelled doors:

- trend colours
- RAL of your choice

(Avoid dark colours for doors subject to direct sunlight, since cracks and warpage of the door leaf cannot be completely prevented. Pearl-effect, fluorescent and metallic colours are only possible after individual clarification.)

- Wooden door: vertical Norway spruce, optionally horizontal or fishbone. Door leaf frame without plinth, powder coated Sepia brown (RAL 8014). The wood has been factory protected against fungal decay, decay and wood pests with a colourless impregnating solution. Final treatment is carried out by the customer with a final protective coat.

**Fittings:**

- Spring-loaded special lock with profile half cylinder, lateral lock with special plastic catches.
- Black plastic round handle with pull cord
- 2 rollers Ø 50 mm, 12 mm wide

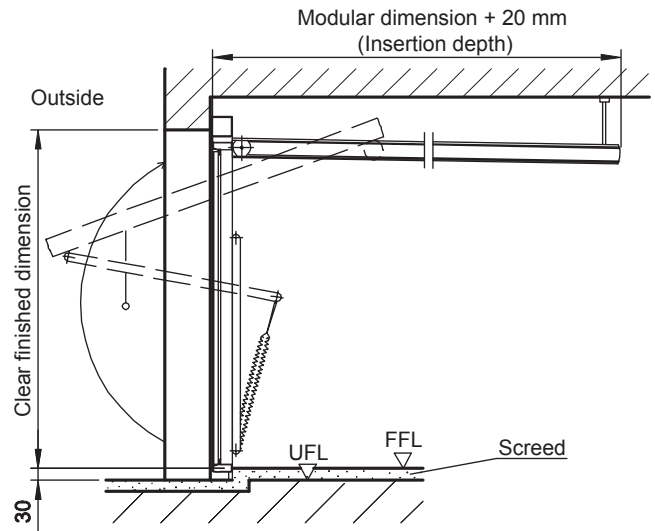
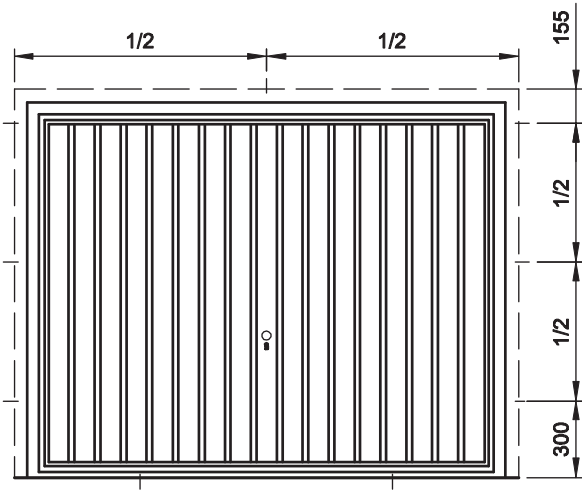
**Special equipment:**

- Wicket door (outward opening), specify type of handing.
- Garage door drive, radio control with handheld transmitter, key holder
- Lock set for vertical locking with electric drive (vertical locking for version with wicket door)
- Lock set for horizontal locking with electric drive – retrofit kit
- Header casing max. 500 mm (same as door leaf)
- Third lock

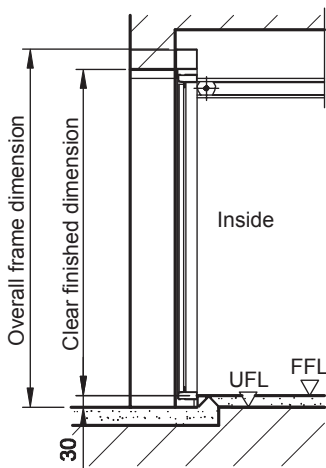
**Standard sizes:**

Ordering size/ Modular dim. width x height	Clear passage size width x height
2250 x 1920	2115 x 1785
2000	1865
2075	1940
2125	1990
2375 x 1920	2245 x 1785
2000	1865
2075	1940
2125	1990
2250	2115
2375	2240
2500 x 1920	2365 x 1785
2000	1865
2075	1940
2125	1990
2250	2115
2375	2240
2500	2365
2625 x 2125	2490 x 1990
2750 x 2000	2615 x 1865
2125	1990
3000 x 2000	2865 x 1865
2125	1990

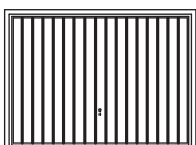
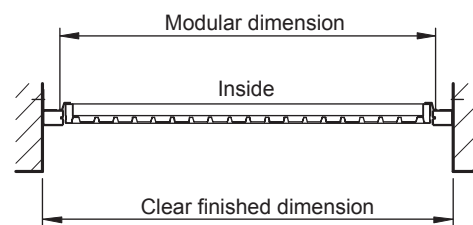
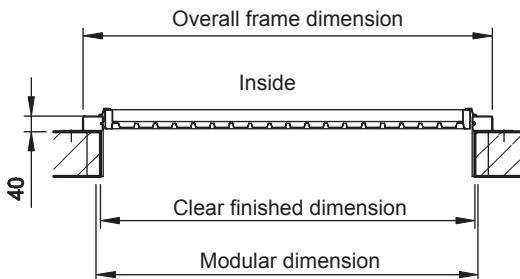
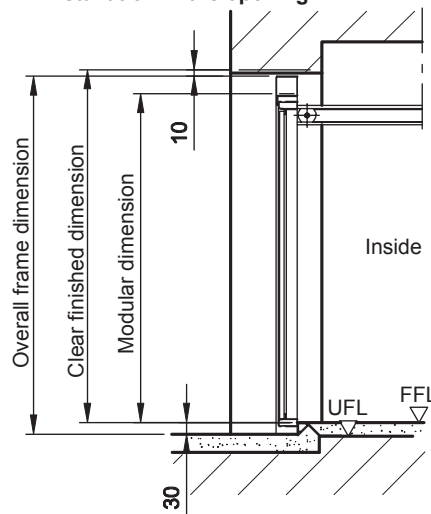
Ordering size:  
from 1750 x  
1875 up to  
2750 x 2500/  
3000 x 2375  
mm



Installation behind the opening



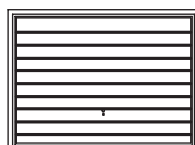
Installation in the opening



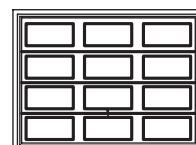
Steel, ribbed, galvanised, powder coated and prime coated



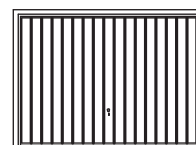
Steel, galvanised panel powder coated and prime coated



Steel, horizontally ribbed, galvanised powder coated and prime coated



Steel, galvanised panel (Georgian/cassette) powder coated and prime coated



Wood filling Norway spruce